

# نشرة براءات الاختراع

( // ) //



المملكة العربية السعودية  
مدينة الملك عبد العزيز للعلوم والتقنية  
الإدارة العامة لبراءات الاختراع

بِسْمِ اللَّهِ الرَّحْمَنِ الرَّحِيمِ

## نشرة براءات الاختراع

( // ) //

الصفحة

المحتويات

٤١

اشعارات.

## بيانات براءات الاختراع الممنوحة

تنويه

( / )

:

//

”

“

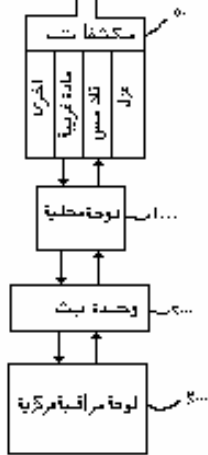
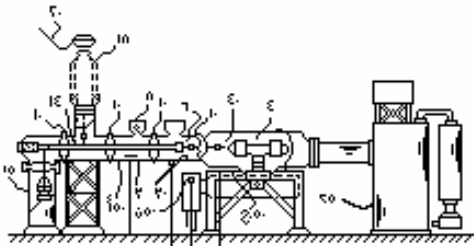


: [11]  
 / / : [45]  
 / / :

[19]

[12]

: [24] / / / /	: [72]
: [30] - [JP] / /	: [73]
: [51]	- - :
<b>Int. Cl. 6: G01R 31/02; G01R 31/00</b>	: [74]
: [56]	: [21]
/ /	/ / : [22]
/ /	/ / :
/ /	/ / :



شكل 1

[54]

[57]



: [11]  
 / / : [45]  
 / / :

[19]

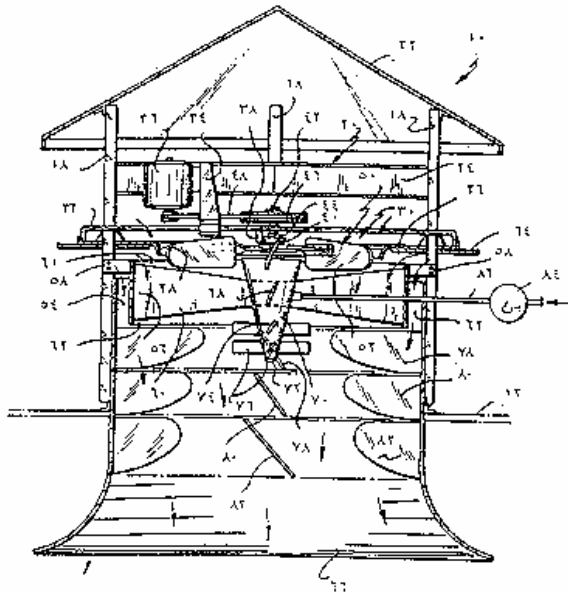
[12]

: [24] / / / / : [30] [US] / / : [51] <b>Int. Cl. <sup>6</sup>: F28C 3/08</b> : [56] / / / /	: [72] : [73] # : : [74] : [21] / / : [22] / / :
--	--

: [54]

: [57]

الشكل - ٣



: [11]  
 / / : [45]  
 / / :



[19]

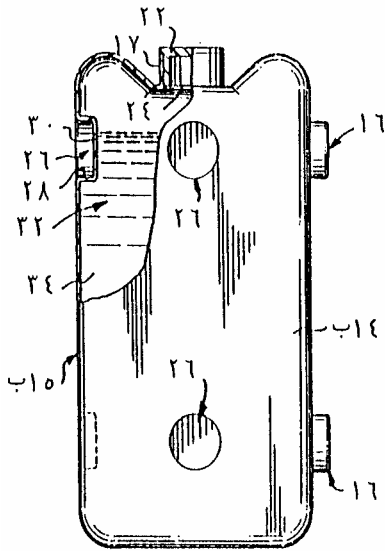
[12]

: [24] / / / / : [30] [US] 802735 / / : [51] F25D 3/08Int. Cl. <sup>6</sup> : [56] / / / / / / / /	: [72] : [73] : : [74] : [21] / / : [22] / / :
--	--

: [54]

: [57]

( )



: [11]  
 / / : [45]  
 / / :

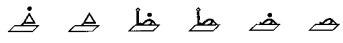


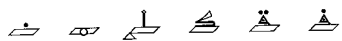
[19]

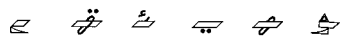
<p>           :            / / / / [24]         </p>	<p>           : [72]         </p>
<p>           : [51]         </p>	<p>           : [73]         </p>
<p> <b>G09F 7/02,9/40; G09B 1/40Int. Cl.<sup>6</sup>:</b>            : [56]         </p>	<p>           : [21]         </p>
<p>           / /            / / , ,         </p>	<p>           / / : [22]            / / :         </p>

 : [54]

 : [57]

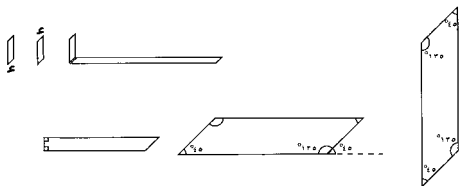
 ( )





(.)





( )



: [11]  
 / / : [45]  
 / / :

[19]

[12]

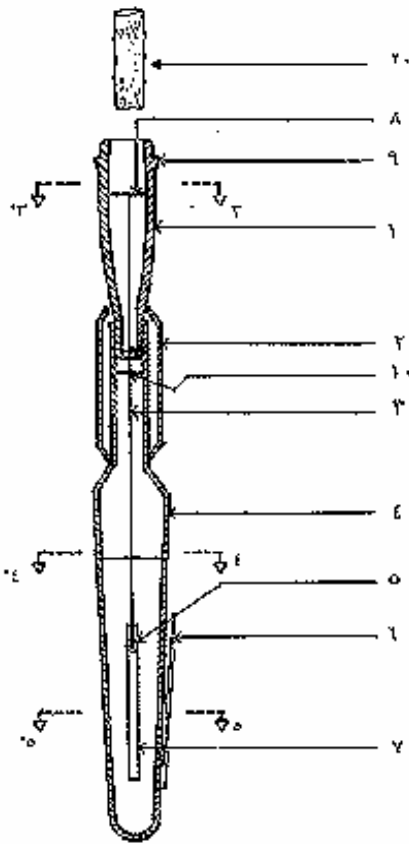
: [24] / / / /	: [72] : [73]
: [51] <b>A61C17/00, A46B17/02 Int. Cl.<sup>6</sup>:</b>	- :
: [56] / / , , / / , , / / , , (PCT)	: [21] / / : [22] / / :

: [54]

( )

( )

: [57]



( )

( )

## قائمة ببراءات الاختراع الساقطة

//	

## قائمة بطلبات براءات الاختراع المسحوبة

// - //

//	//		
//	//		
//	//		
//	//		

قائمة بطلبات براءات الاختراع التي تم تغيير ملكيتها

طلبات براءات الاختراع التي تم تغيير ملكيتها خلال الفترة ١٤١٧/١/١ هـ - ١٤١٩/١/١ هـ

Novartis AG	Sandoz Ltd.	//		
Novartis AG	Sandoz Ltd.	//		
Novartis AG	Ciba - Geigy AG	//		
Novartis AG	Sandoz Ltd.	//		
Novartis AG	Ciba - Geigy AG	//		
Novartis AG	Ciba - Geigy AG	//		
Novartis AG	Ciba - Geigy AG	//		
Ciba SC Holding AG	Ciba-Geigy AG	//		
Novartis AG	Sandoz Ltd.	//		
Novartis AG	Ciba - Geigy AG	//		
Novartis AG	Ciba-Geigy AG	//		
Novartis AG	Sandoz Ltd.	//		
Thomas A. Krouskop	Research Development Foundation	//		
Montell Technology Company	Shell International Research Maatschappij B.V.	//		
Novartis AG	Sandoz Ltd.	//		
Astra Pharmaceuticals Limited	Fisons PLC.	//		
Novartis AG	Sandoz Ltd.	//		
Novartis AG	Sandoz Ltd.	//		
Novartis A G	Sandoz Limited	//		
Novartis AG	Ciba - Geigy AG	//		
Astra A B	Fisons Corporation	//		
Novartis AG	Ciba - Geigy AG	//		
		//		

Enichem S.P.A.	ECP Enichem Polimeri S.R.L. & Montedipe S.R.L.			
Polimeri Europa S.R.L.	Enichem S.P.A.	//		
Novartis AG	Sandoz Ltd.	//		
Novartis AG	Sandoz Ltd.	//		
Novartis AG	Sandoz Ltd.	//		
Novartis AG	Ciba - Geigy AG	//		
Novartis AG	Ciba - Geigy AG	//		
Novartis A G	Sandoz Limited	//		
Novartis AG	Ciba - Geigy AG	//		
Novartis AG	Ciba - Geigy AG	//		
Novartis AG	Ciba - Geigy AG	//		
Novartis AG	Sandoz Ltd.	//		
Novartis AG	Sandoz Ltd.	//		
Novartis A G	Sandoz Limited	//		
Novartis A G & Royal Free Hospital School of Medicine	Sandoz Limited & Royal Free Hospital School of Medicine	//		
Novartis AG	Sandoz Ltd.	//		
Novartis AG	Ciba - Geigy AG	//		
Enichem S.P.A.	ECP Enichem Polimeri S.R.L.	//		
Polimeri Europa S.R.L.	Enichem S.P.A.	//		
Novartis A G	Sandoz Limited	//		
Novartis AG	Ciba - Geigy AG	//		
Petroport, Inc.	PB KBB Inc.	//		
Novartis A G	Sandoz Limited	//		

Novartis A G	Sandoz Limited	//		
Novartis A G	Sandoz Limited	//		
Closures and Packaging Service Limited	Precision Valve Australia PTY Limited & Rodney Malcolm Druitt	//		
Novartis AG	Ciba - Geigy AG	//		
United Ostermaeyer Engineering PTY Ltd.	Bernd Ostermaeyer	//		
Enichem S.P.A.	ECP Enichem Polimeri S.R.L & Enichem S.P.A.	//		
Polimeri Europa S.R.L.	Enichem S.P.A.	//		
Enichem S.P.A.	ECP Enichem Polimeri S.R.L & Enichem S.P.A.	//		
Polimeri Europa S.R.L.	Enichem S.P.A.	//		
Enichem S.P.A.	ECP Enichem Polimeri S.R.L & Enichem S.P.A.	//		
Polimeri Europa S.R.L.	Enichem S.P.A.	//		
Novartis A G	Sandoz Limited	//		
Enichem S.P.A.	ECP Enichem Polimeri S.R.L & Enichem S.P.A.	//		
Polimeri Europa S.R.L.	Enichem S.P.A.	//		
Enichem S.P.A.	ECP Enichem Polimeri S.R.L & Enichem S.P.A.	//		
Polimeri Europa S.R.L.	Enichem S.P.A.	//		
Novartis AG	Ciba - Geigy AG	//		
Novartis AG	Ciba - Geigy AG	//		
Novartis A G	Sandoz Limited	//		
Novartis A G	259Sandoz Limited	//		
Novartis AG	Ciba - Geigy AG	//		
Enichem S.P.A.	ECP Enichem Polimeri S.R.L & Enichem	//		

	S.P.A.			
Polimeri Europa S.R.L.	Enichem S.P.A.	//		
Novartis AG	Ciba - Geigy AG	//		
Novartis A G	Sandoz Limited	//		
Korral Kool, Inc.	Larry R. Gordon	//		
Larry R. Gordon	R. Robert Gordon	//		
Korral Kool, Inc.	Larry R. Gordon	//		
Novartis A G	Sandoz Limited	//		
Novartis AG	Ciba - Geigy AG	//		
Novartis AG	Ciba - Geigy AG	//		
Novartis AG	Ciba - Geigy AG	//		
Depotech Corporation	Research Development Foundation	//		
Kimberly-Clark Worldwide, Inc.	Kimberly-Clark corporation	//		
Kimberly-Clark Worldwide, Inc.	Kimberly-Clark corporation	//		
Kimberly-Clark Worldwide, Inc.	Kimberly-Clark corporation	//		
Kimberly-Clark Worldwide, Inc.	Kimberly-Clark corporation	//		
Kimberly-Clark Worldwide, Inc.	Kimberly-Clark corporation	//		
Kimberly-Clark Worldwide, Inc.	Kimberly-Clark corporation	//		
Kimberly-Clark Worldwide, Inc.	Kimberly-Clark corporation	//		
Kimberly-Clark Worldwide, Inc.	Kimberly-Clark corporation	//		
Novartis AG	Ciba - Geigy AG	//		
Novartis AG	Ciba - Geigy AG	//		
Novartis AG	Ciba - Geigy AG	//		

- Kimberly-Clark Worldwide, Inc.	- Kimberly-Clark corporation	//		
- Novartis AG	- Ciba - Geigy AG	//		
- Ciba SC Holding AG	- Ciba-Geigy AG	//		
- Kimberly-Clark Worldwide, Inc.	- Kimberly-Clark corporation	//		
- Novartis AG	- Ciba - Geigy AG	//		
- Kimberly-Clark Worldwide, Inc.	- Kimberly-Clark corporation	//		
- Novartis AG	- Ciba - Geigy AG	//		
- Novartis AG	- Ciba - Geigy AG	//		
- Kimberly-Clark Worldwide, Inc.	- Kimberly-Clark corporation	//		
- Closures and Packaging Service Limited	- Precision Valve Australia PTY Limited & Rodney Malcolm Drutt	//		
- Kimberly-Clark Worldwide, Inc.	- Kimberly-Clark corporation	//		
- Kimberly-Clark Worldwide, Inc.	- Kimberly-Clark corporation	//		
- Kimberly-Clark Worldwide, Inc.	- Kimberly-Clark corporation	//		
( % ) Norman C. Fawley (50% of Rights)	( % ) Clock Spring Company L.P.	//		
( % ) Norman C. Fawley (50% of Rights)	( % ) Clock Spring Company L.P.	//		
- Astra A B	- Fisons Corporation	//		
- Novartis AG	- Ciba - Geigy AG	//		
- Kimberly-Clark Worldwide, Inc.	- Kimberly-Clark corporation	//		
- Novartis AG	- Ciba - Geigy AG	//		
- Kimberly-Clark Worldwide, Inc.	- Kimberly-Clark corporation	//		
- Kimberly-Clark Worldwide, Inc.	- Kimberly-Clark corporation	//		
- Kimberly-Clark Worldwide, Inc.	- Kimberly-Clark corporation	//		
- Kimberly-Clark Worldwide, Inc.	- Kimberly-Clark corporation	//		

- Kimberly-Clark Worldwide, Inc.	- Kimberly-Clark corporation	//		
- Kimberly-Clark Worldwide, Inc.	- Kimberly-Clark corporation	//		
- Kimberly-Clark Worldwide, Inc.	- Kimberly-Clark corporation	//		
Novartis AG	Ciba - Geigy AG	//		
- Kimberly-Clark Worldwide, Inc.	- Kimberly-Clark corporation	//		
Novartis A G	Sandoz Limited	//		
Novartis A G	Sandoz Limited	//		
- Kimberly-Clark Worldwide, Inc.	- Kimberly-Clark corporation	//		
- Kimberly-Clark Worldwide, Inc.	- Kimberly-Clark corporation	//		
Astra Pharmaceuticals Limited	Fisons PLC.	//		
Novartis AG	Ciba - Geigy AG	//		
Zeppelin Mobile Systeme GmbH	Zeppelin-Systemtechnik GmbH	//		
Novartis AG	Ciba - Geigy AG	//		
Novartis AG	Ciba - Geigy AG	//		
Novartis AG	Ciba - Geigy AG	//		
Novartis A G	Sandoz Limited	//		
- Kimberly-Clark Worldwide, Inc.	- Kimberly-Clark corporation	//		
The Trustes of the Don Trust	M. Omar A. Jazzar	//		
Novartis AG & UCP Gen-Pharma AG	Ciba - Geigy AG & UCP Gen-Pharma AG	//		
- Kimberly-Clark Worldwide, Inc.	- Kimberly-Clark corporation	//		
Novartis AG	Ciba - Geigy AG	//		
Novartis AG & UCP Gen-Pharma AG	Ciba - Geigy AG & UCP Gen-Pharma AG	//		
Novartis AG & UCP Gen-Pharma AG	Ciba - Geigy AG & UCP Gen-Pharma AG	//		
		//		



Novartis A G	Sandoz Limited	//		
Astra A B	Fisons Corporation	//		
Kemira Agro OY	Kemira OY	//		
- Kimberly-Clark Worldwide, Inc.	- Kimberly-Clark corporation	//		
- Kimberly-Clark Worldwide, Inc.	- Kimberly-Clark corporation	//		
- Kimberly-Clark Worldwide, Inc.	- Kimberly-Clark corporation	//		
( ) Lilly Industries (USA), Inc.	Lilly London Inc.	//		
- Kimberly-Clark Worldwide, Inc.	- Kimberly-Clark corporation	//		
- Novartis AG & UCP Gen-Pharma AG	- Ciba - Geigy AG & UCP Gen-Pharma AG	//		
- Kimberly-Clark Worldwide, Inc.	- Kimberly-Clark corporation	//		
- Kimberly-Clark Worldwide, Inc.	- Kimberly-Clark corporation	//		
- Kimberly-Clark Worldwide, Inc.	- Kimberly-Clark corporation	//		
- Kimberly-Clark Worldwide, Inc.	- Kimberly-Clark corporation	//		
- Kimberly-Clark Worldwide, Inc.	- Kimberly-Clark corporation	//		
- Novartis AG	- Ciba - Geigy AG	//		
- Kimberly-Clark Worldwide, Inc.	- Kimberly-Clark corporation	//		
- Kimberly-Clark Worldwide, Inc.	- Kimberly-Clark corporation	//		
- Kimberly-Clark Worldwide, Inc.	- Kimberly-Clark corporation	//		
- Kimberly-Clark Worldwide, Inc.	- Kimberly-Clark corporation	//		
- Kimberly-Clark Worldwide, Inc.	- Kimberly-Clark corporation	//		
- Kimberly-Clark Worldwide, Inc.	- Kimberly-Clark corporation	//		
Hyperlast Limited	B & T Polymers Limited	//		
Novartis A G	Sandoz Limited	//		
- Kimberly-Clark Worldwide, Inc.	- Kimberly-Clark corporation	//		
- Kimberly-Clark Worldwide, Inc.	- Kimberly-Clark corporation	//		
- Kimberly-Clark Worldwide, Inc.	- Kimberly-Clark corporation	//		

Kimberly-Clark Worldwide, Inc.	Kimberly-Clark corporation			
Biota Scientific Management Pty Ltd.	Galaxo Group Limited	//		
- Kimberly-Clark Worldwide, Inc.	- Kimberly-Clark corporation	//		
- Kimberly-Clark Worldwide, Inc.	- Kimberly-Clark corporation	//		
- Kimberly-Clark Worldwide, Inc.	- Kimberly-Clark corporation	//		
- Kimberly-Clark Worldwide, Inc.	- Kimberly-Clark corporation	//		
The Trustes of the Don Trust	M. Omar A. Jazzar	//		
- Kimberly-Clark Worldwide, Inc.	- Kimberly-Clark corporation	//		
Icos Corporation	Laboratoire Glaxo SA	//		
Novartis AG AG & UCP Gen-Pharma A.G.	- Ciba - Geigy AG & UCP Gen-Pharma A.G.	//		
Novartis AG	- Ciba - Geigy AG	//		
- Kimberly-Clark Worldwide, Inc.	- Kimberly-Clark corporation	//		
- Kimberly-Clark Worldwide, Inc.	- Kimberly-Clark corporation	//		
Novartis A G	Sandoz Limited	//		
- Kimberly-Clark Worldwide, Inc.	- Kimberly-Clark corporation	//		
Montell Technology Company Bv & Himond Incorbrated	Spherilene S.P.A & Himond Incorbrated	//		
Erdec Co. Ltd.	Keiichi Hara & Filtration Co., Ltd	//		
Interline Hydrocarbon Inc.	Interline Resources Corporation	//		
- Kimberly-Clark Worldwide, Inc.	- Kimberly-Clark corporation	//		
Novartis AG	- Ciba - Geigy AG	//		
- Fold-Pak International Limited	- Novobox Ltd.	//		
- Kimberly-Clark Worldwide, Inc.	- Kimberly-Clark corporation	//		
- Kimberly-Clark Worldwide, Inc.	- Kimberly-Clark corporation	//		
- Kimberly-Clark Worldwide, Inc.	- Kimberly-Clark corporation	//		

- Kimberly-Clark Worldwide, Inc.	- Kimberly-Clark corporation	//		
- Kimberly-Clark Worldwide, Inc.	- Kimberly-Clark corporation	//		
Novartis A G	Sandoz Limited	//		
- Kimberly-Clark Worldwide, Inc.	- Kimberly-Clark corporation	//		
Tetra Laval Holdings & Finance S. A.	Nihon Tetra Pak K. K.	//		
- Kimberly-Clark Worldwide, Inc.	- Kimberly-Clark corporation	//		
- Kimberly-Clark Worldwide, Inc.	- Kimberly-Clark corporation	//		
- Kimberly-Clark Worldwide, Inc.	- Kimberly-Clark corporation	//		
Novartis AG	Ciba - Geigy AG	//		
- Kimberly-Clark Worldwide, Inc.	- Kimberly-Clark corporation	//		
- Kimberly-Clark Worldwide, Inc.	- Kimberly-Clark corporation	//		
Novartis AG	Ciba - Geigy AG	//		
- Kimberly-Clark Worldwide, Inc.	- Kimberly-Clark corporation	//		
- Kimberly-Clark Worldwide, Inc.	- Kimberly-Clark corporation	//		
- Kimberly-Clark Worldwide, Inc.	- Kimberly-Clark corporation	//		
Novartis A G	Sandoz Limited	//		
- Kimberly-Clark Worldwide, Inc.	- Kimberly-Clark corporation	//		
- Kimberly-Clark Worldwide, Inc.	- Kimberly-Clark corporation	//		
Novartis AG	Ciba - Geigy AG	//		
- Kimberly-Clark Worldwide, Inc.	- Kimberly-Clark corporation	//		
- Kimberly-Clark Worldwide, Inc.	- Kimberly-Clark corporation	//		
- Kimberly-Clark Worldwide, Inc.	- Kimberly-Clark corporation	//		
- Kimberly-Clark Worldwide, Inc.	- Kimberly-Clark corporation	//		
- Kimberly-Clark Worldwide, Inc.	- Kimberly-Clark corporation	//		

Kimberly-Clark Worldwide, Inc.	Kimberly-Clark corporation			
Closures and Packaging Service Limited	Precision Valve Australia PTY Limited	//		
- Kimberly-Clark Worldwide, Inc.	- Kimberly-Clark corporation	//		
- Kimberly-Clark Worldwide, Inc.	- Kimberly-Clark corporation	//		
- Kimberly-Clark Worldwide, Inc.	- Kimberly-Clark corporation	//		
- Kimberly-Clark Worldwide, Inc.	- Kimberly-Clark corporation	//		
- Novartis AG	- Ciba - Geigy AG	//		
- Novartis AG & Vesifact A.G.	- Ciba - Geigy AG & Vesifact A.G.	//		
- Novartis A G	- Sandoz Limited	//		
- Novartis A G	- Sandoz Limited	//		
- Novartis AG	- Ciba - Geigy AG	//		
- Kimberly-Clark Worldwide, Inc.	- Kimberly-Clark corporation	//		
- Kimberly-Clark Worldwide, Inc.	- Kimberly-Clark corporation	//		
- Kimberly-Clark Worldwide, Inc.	- Kimberly-Clark corporation	//		
- Kimberly-Clark Worldwide, Inc.	- Kimberly-Clark corporation	//		
- Kimberly-Clark Worldwide, Inc.	- Kimberly-Clark corporation	//		
- Kimberly-Clark Worldwide, Inc.	- Kimberly-Clark corporation	//		
- Kimberly-Clark Worldwide, Inc.	- Kimberly-Clark corporation	//		
- Kimberly-Clark Worldwide, Inc.	- Kimberly-Clark corporation	//		
- Ciba SC Holding AG	- Ciba-Geigy AG	//		
- Kimberly-Clark Worldwide, Inc.	- Kimberly-Clark corporation	//		
- Kimberly-Clark Worldwide, Inc.	- Kimberly-Clark corporation	//		
- Kimberly-Clark Worldwide, Inc.	- Kimberly-Clark corporation	//		

Novartis AG	Ciba - Geigy AG	//		
Kimberly-Clark Worldwide, Inc.	Kimberly-Clark corporation	//		
Kimberly-Clark Worldwide, Inc.	Kimberly-Clark corporation	//		
Kimberly-Clark Worldwide, Inc.	Kimberly-Clark corporation	//		
Ciba SC Holding AG	Ciba-Geigy AG	//		
Novartis A G	Sandoz Limited	//		
Kimberly-Clark Worldwide, Inc.	Kimberly-Clark corporation	//		
Kimberly-Clark Worldwide, Inc.	Kimberly-Clark corporation	//		
Kimberly-Clark Worldwide, Inc.	Kimberly-Clark corporation	//		
Kimberly-Clark Worldwide, Inc.	Kimberly-Clark corporation	//		
Kimberly-Clark Worldwide, Inc.	Kimberly-Clark corporation	//		
Kimberly-Clark Worldwide, Inc.	Kimberly-Clark corporation	//		
Kimberly-Clark Worldwide, Inc.	Kimberly-Clark corporation	//		
Iron Carbide Holdings, Ltd	Gliffs Reduced Iron Corporation	//		
Kimberly-Clark Worldwide, Inc.	Kimberly-Clark corporation	//		
Kimberly-Clark Worldwide, Inc.	Kimberly-Clark corporation	//		
Kimberly-Clark Worldwide, Inc.	Kimberly-Clark corporation	//		
Kimberly-Clark Worldwide, Inc.	Kimberly-Clark corporation	//		
Novartis AG	Ciba - Geigy AG	//		
Kimberly-Clark Worldwide, Inc.	Kimberly-Clark corporation	//		
Kimberly-Clark Worldwide, Inc.	Kimberly-Clark corporation	//		
Kimberly-Clark Worldwide, Inc.	Kimberly-Clark corporation	//		
Novartis A G	Sandoz Limited	//		
		//		

Kimberly-Clark Worldwide, Inc.	Kimberly-Clark corporation			
-	-	//		
Kimberly-Clark Worldwide, Inc.	Kimberly-Clark corporation			
-	-	//		
Kimberly-Clark Worldwide, Inc.	Kimberly-Clark corporation			
-	-	//		
Kimberly-Clark Worldwide, Inc.	Kimberly-Clark corporation			
-	-	//		
Kimberly-Clark Worldwide, Inc.	Kimberly-Clark corporation			
Novartis AG	Ciba - Geigy AG	//		
Nutec Electrical Engineering Co, Ltd.	ARO Electrical Engineering Co, Ltd.	//		
-	-	//		
Kimberly-Clark Worldwide, Inc.	Kimberly-Clark corporation			
-	-	//		
Novartis AG	Ciba - Geigy AG	//		
-	-	//		
Kimberly-Clark Worldwide, Inc.	Kimberly-Clark corporation			
-	-	//		
Kimberly-Clark Worldwide, Inc.	Kimberly-Clark corporation			
-	-	//		
Kimberly-Clark Worldwide, Inc.	Kimberly-Clark corporation			
-	-	//		
Kimberly-Clark Worldwide, Inc.	Kimberly-Clark corporation			
-	-	//		
Kimberly-Clark Worldwide, Inc.	Kimberly-Clark corporation			
-	-	//		
Kimberly-Clark Worldwide, Inc.	Kimberly-Clark corporation			
-	-	//		
Kimberly-Clark Worldwide, Inc.	Kimberly-Clark corporation			
-	-	//		
Kimberly-Clark Worldwide, Inc.	Kimberly-Clark corporation			
-	-	//		
Kimberly-Clark Worldwide, Inc.	Kimberly-Clark corporation			
-	-	//		
Kimberly-Clark Worldwide, Inc.	Kimberly-Clark corporation			

- Kimberly-Clark Worldwide, Inc.	- Kimberly-Clark corporation	//		
- Kimberly-Clark Worldwide, Inc.	- Kimberly-Clark corporation	//		
- Kimberly-Clark Worldwide, Inc.	- Kimberly-Clark corporation	//		
- Kimberly-Clark Worldwide, Inc.	- Kimberly-Clark corporation	//		
- Kimberly-Clark Worldwide, Inc.	- Kimberly-Clark corporation	//		
- Kimberly-Clark Worldwide, Inc.	- Kimberly-Clark corporation	//		
Hybridon Inc.	F. Hoffmann-LA Roche AG & Hybridon Inc.	//		
Novartis AG	Ciba - Geigy AG	//		
- Kimberly-Clark Worldwide, Inc.	- Kimberly-Clark corporation	//		
- Kimberly-Clark Worldwide, Inc.	- Kimberly-Clark corporation	//		
Novartis A G	Sandoz Limited	//		

## قائمة بطلبات براءات الاختراع المرفوضة





# إشارات

:( ) ( )

\*

# Patent Official Gazette

Vol. 2

1/1/1419 H - 27/4/1998 G



Kingdom of Saudi Arabia  
King Abdulaziz City For Science & Technology  
General Directorate of Patents

Patents 5 to 9

P. O. Box 6086 Riyadh 11442 Saudi Arabia Tel. 4813353 Fax 4883980-4813322